

MCB Miniature Circuit Breakers series BMS0-DC, ME



BM015110ME



BM014206M

Schrack-Info

For use in DC power systems and calibrated for an ambient temperature 40°C.

- According IEC/EN 60947-2
- Insulated terminal guide for secure connection
- Lift and clamp terminals on both sides
- Window with positively-driven contact position indicator for each pole
- Terminal cross-section 1 – 25mm²

NOTE

Observe polarity when connecting!

ACCESSORIES

Auxiliary contact

Signal contact

Remote release

Busbar

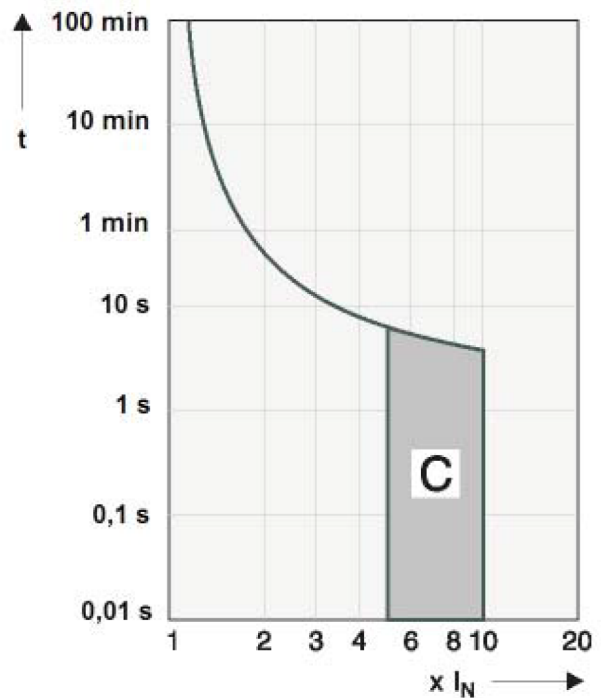
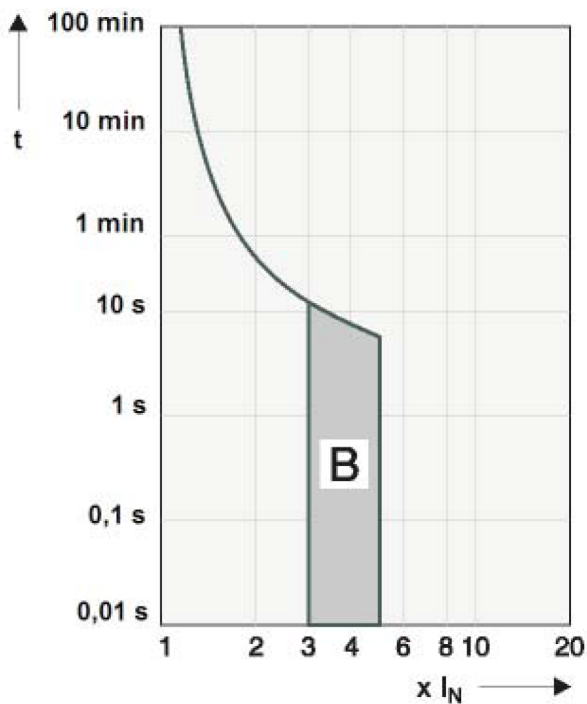
Automatic remote switching unit (FSA)

Standards:	EN 60947-2
Poles:	1 or 2 pole
Rated voltage:	250V-DC (1 pole), 500V-DC (2 pole)
Rated isolation voltage:	500 V-DC
Rated current:	2 - 50A
Tripping characteristic:	B,C according IEC/EN 60898
Rated tripping characteristic: no tripping current:	$I_{nt} = 1,13 I_n$
tripping current:	$I_t = 1,45 I_n$
Undelayed tripping current:	Characteristic B, $3 I_n < I_{mt} \leq 5 I_n$; $t(I_{mt}) < 0,1 \text{ sec}$ Characteristic C, $7 I_n < I_{mt} \leq 15 I_n$; $t(I_{mt}) < 0,1 \text{ sec}$
Rated short-circuit capacity I_{cn} :	6 kA according EN 60898
Energy limiting class:	according class 3
Max. back up fuse:	max. 100A gG
Rated impulse withstand voltage U_{imp} :	4000 V (1,2 / 50) μsec
Rated tripping temperature:	-5 °C up to +40 °C
Operating temperature:	-40 °C up to +75 °C
Calibrated for ambient temperature:	30°C
Factor of temperature:	0,5% / K
Degree of protection:	IP 20 (covered IP40)
Endurance:	< 1.500 operating cycles (mechanical < 8500)
Finger and hand touch safe:	acc. to BGV A3
Terminals:	Double clamp / lift terminal
Terminal cross-section:	1 - 25mm ²
Terminal width 1 MW:	17,8mm
Terminal tightening torque:	2 - 2,4Nm
Mounting:	on DIN rail by latching snap-on mounting

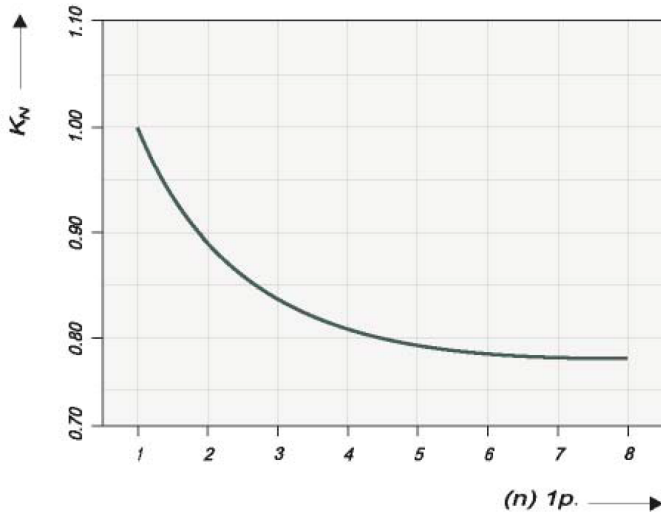
Ambient temperature

temperature (°C) current (A)	-10	0	10	20	30	40	50	60
2	2.4	2.3	2.2	2.2	2.1	2.0	1.9	1.9
4	4.8	4.7	4.5	4.3	4.2	4.0	3.9	3.7
6	7.2	7.0	66.7	6.5	6.3	6.0	5.8	5.6
10	12	12	11	11	10	10	9.7	9.3
13	16	15	15	14	14	13	13	12
16	19	19	18	17	17	16	15	15
20	24	23	22	22	21	20	19	19
25	30	29	28	27	26	25	24	23
32	38	37	36	35	33	32	31	30
40	48	47	45	43	42	40	39	37
50	60	58	56	54	52	50	48	47
63	76	73	71	68	66	63	61	58

▀ Tripping characteristic curves according to IEC 60898 / EN 60898



Capacity with block mounting



Conductor cross section [mm ²]	Number of single conductors, rigid, single-wire Cu conductors					
	1	2	3	4	5	6
1,5	+	+	+	+	+	-
2,5	+	+	+	-	-	-
4	+	+	+	-	-	-
6	+	+	+	-	-	-
10	+	+	-	-	-	-
16	+	-	-	-	-	-
25	+	-	-	-	-	-

Conductor cross section [mm ²]	Number of single conductors, rigid, multi-wire Cu conductors					
	1	2	3	4	5	6
10	+	+	-	-	-	-
16	+	-	-	-	-	-
25	+	-	-	-	-	-

Conductor cross section [mm ²]	Number of single conductors, flexible Cu conductors without sleeves					
	1*	2*	3*	4*	5*	6*
1,5	-	-	-	+	+	-
2,5	-	-	+	-	-	-
4	-	+	+	-	-	-
6	-	+	+	-	-	-
10	-	+	-	-	-	-
16	-	-	-	-	-	-
25	-	-	-	-	-	-

*) Only without wire end and sleeve
+ permissible
- Not permissible

Conductor cross section [mm ²]	Combinations of different profiles of flexible Cu conductors						
	1,5	2,5	4	6	10	16	25
1,5	/	+	-	-	-	-	-
2,5	+	/	-	-	+	-	-
4	-	+	/	-	-	+	-
6	-	-	+	/	+	-	+
10	-	-	-	+	/	+	-
16	-	-	-	-	-	/	+
25	-	-	-	-	-	-	/

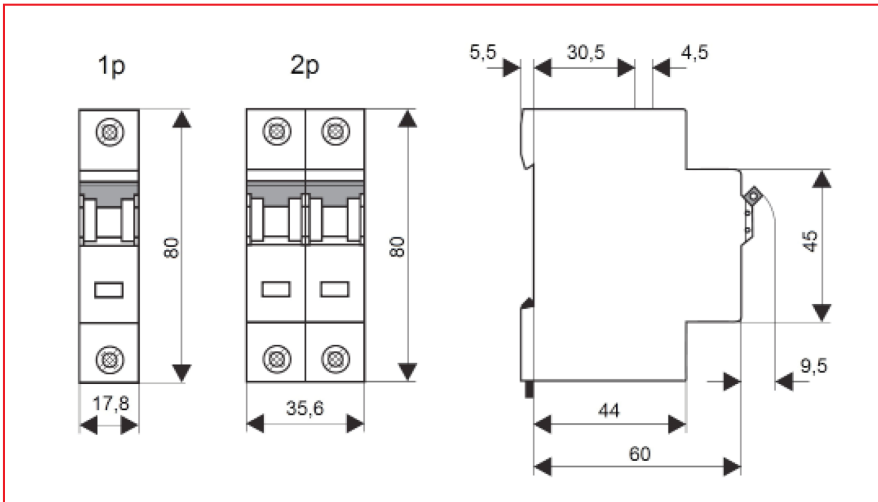
+ permissible
- Not permissible

No combinations are permissible for rigid single- and multi-wire Cu conductors!

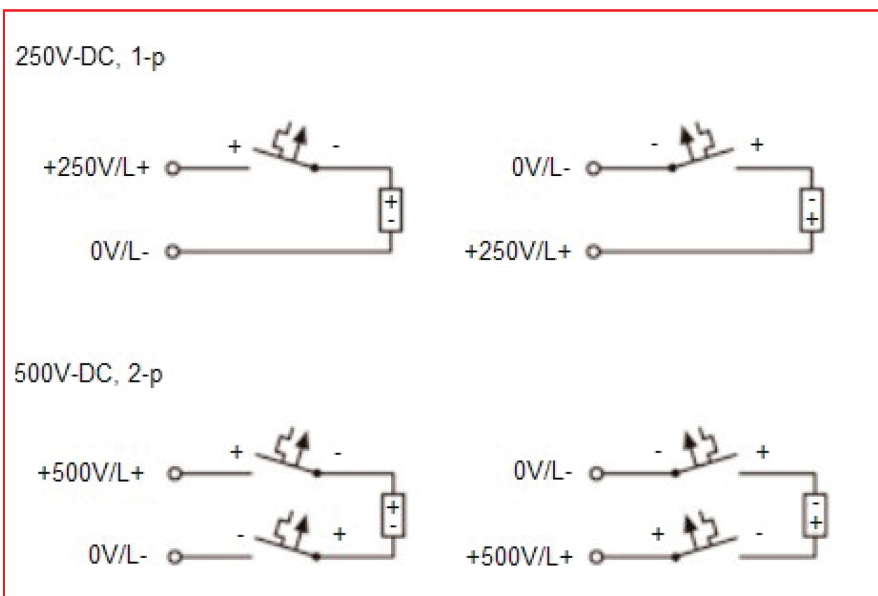
Conductor cross section [mm ²]	Number of single conductors, flexible Cu conductors with sleeve					
	1**	2	3	4	5	6
1,5	+	-	-	-	-	-
2,5	+	-	-	-	-	-
4	+	-	-	-	-	-
6	+	-	-	-	-	-
10	+	-	-	-	-	-
16	+	-	-	-	-	-
25	+	-	-	-	-	-

***) Only with wire end and sleeve

▀ Dimensions



▀ Wiring diagram



■ MCB Miniature Circuit Breakers series BMS0-DC, ME, 1-pole



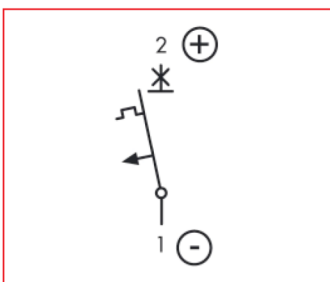
BM015116M

■ Schrack-Info

Most common accessories:

- Auxiliary contact 1 NO / 1 NC BM900001
- Busbar 10 mm²/1-pole BS900140

■ Wiring diagram



DESCRIPTION	AVAILABLE	ORDER NO.
Characteristic B		
2A		BM014102ME
4A		BM014104ME
6A		BM014106ME
10A		BM014110ME
16A		BM014116ME
20A		BM014120ME
25A		BM014125ME
32A		BM014132ME
40A		BM014140ME
50A		BM014150ME
Characteristic C		
2A		BM015102ME
4A		BM015104ME
6A		BM015106ME
10A		BM015110ME
16A		BM015116ME
20A		BM015120ME
25A		BM015125ME
32A		BM015132ME
40A		BM015140ME
50A		BM015150ME

■ MCB Miniature Circuit Breakers series BMS0-DC, ME, 2-pole



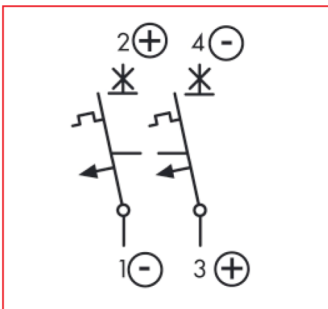
BM014206M

■ Schrack-Info

Most common accessories:

- Auxiliary contact 1 NO / 1 NC BM900001
- Busbar 10 mm²/2-pole BS900111

■ Wiring diagram



DESCRIPTION	AVAILABLE	ORDER NO.
Characteristic B		
2A		BM014202ME
4A		BM014204ME
6A		BM014206ME
10A		BM014210ME
16A		BM014216ME
20A		BM014220ME
25A		BM014225ME
32A		BM014232ME
40A		BM014240ME
50A		BM014250ME
Characteristic C		
2A		BM015202ME
4A		BM015204ME
6A		BM015206ME
10A		BM015210ME
16A		BM015216ME
20A		BM015220ME
25A		BM015225ME
32A		BM015232ME
40A		BM015240ME
50A		BM015250ME